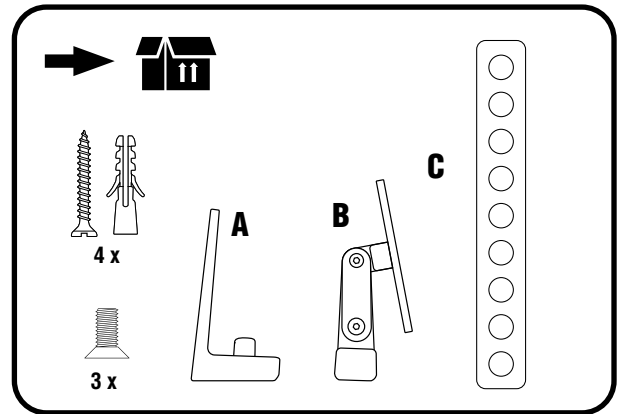
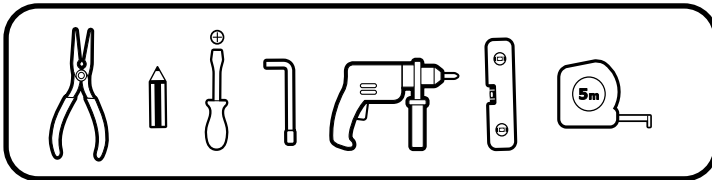


CLMN8

OPERATIONS

MANUAL

artsound
smart solutions in audio



Dear customer, thank you and congratulations on the purchase of your speaker(s). If you read the following instructions and keep them, you will be able to enjoy them for a long time!

SAFETY INSTRUCTIONS

- A CLMN8 cannot swim. Please keep it away from water and all types of moisture.
- Ensure that your amplifier is disconnected while connecting your speaker(s).
- Power cables and audio cables had best be kept away from the speaker cables as much as possible.
- Ensure that your amplifier is disconnected while connecting your speaker(s).
- Ensure that the total capacity of all speakers is lower than that of the amp.
- Assemble the CLMN8 only using the included bracket and fitting screws.
- People only have one set of ears, treat them carefully. Prolonged exposure to a high volume may cause damage.
- When in doubt about the positioning or the use of the speakers, ask help from an audio expert in advance.

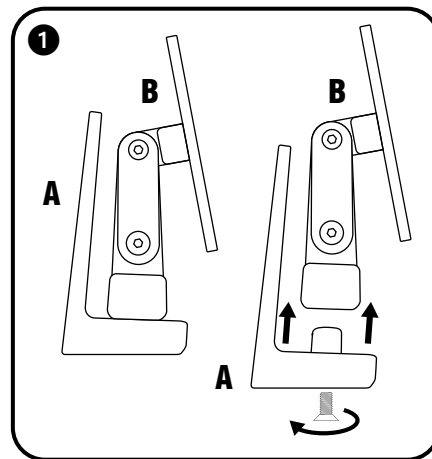
TECHNICAL SPECIFICATIONS

- range : <math><60\text{m}^2</math>
- 2-way/broadband system 8+1
- driver, neodymium-magnet : 2" polypropylene cone
- tweeter, neodymium-magnet : 1" soft dome
- magnetic shielded
- max. power (100V) : 6 -15-30 W
- max. power (8Ω) : 40-180 W
- sensibility : 91dB
- frequency range : 120Hz - 20kHz
- dimensions (h x w x d) : 578 x 70 x 75mm
- weight / piece : 2.23 kg
- housing : aluminium
- black / white
- suspension : multi-directional bracket

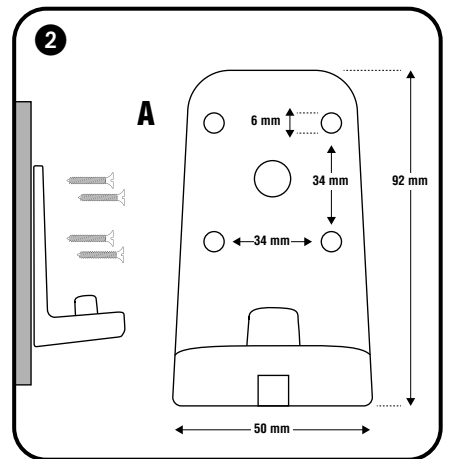
WARRANTY CONDITIONS

2 years of warranty from the manufacturing date. The warranty is limited to repair or exchange of the defective material insofar this is a consequence of normal use and the device has not been damaged. ArtSound is not responsible for any other costs deriving from the defect (e.g. transport). For any details, we refer to the general conditions of sale.

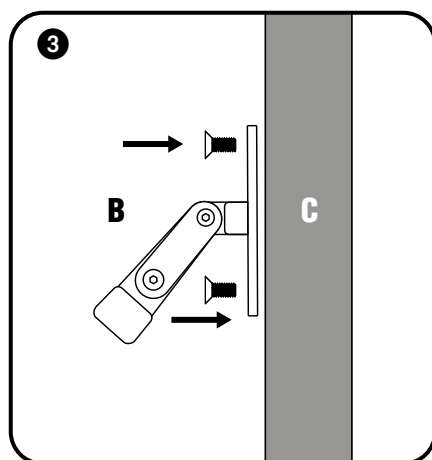
INSTALLATION



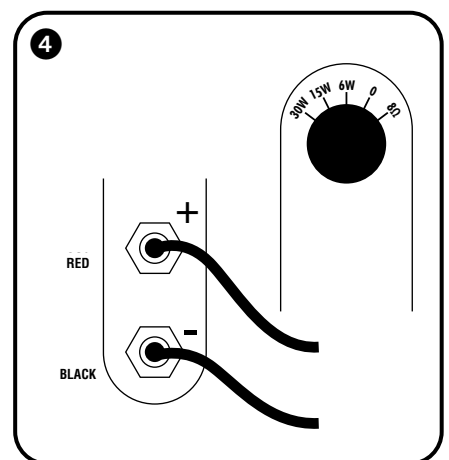
1 - Deduplicate the bracket.



2 - Assemble part A of the bracket to the wall by use of screws.

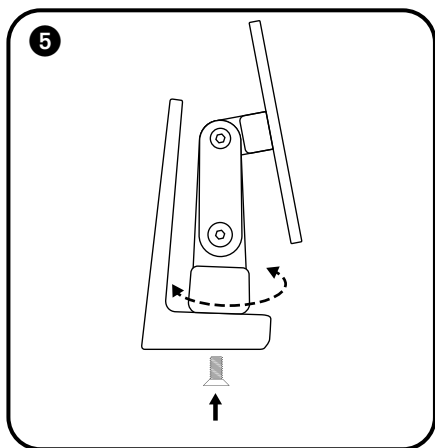


3 - Assemble part B of the bracket to the speaker (C) using the included screws.

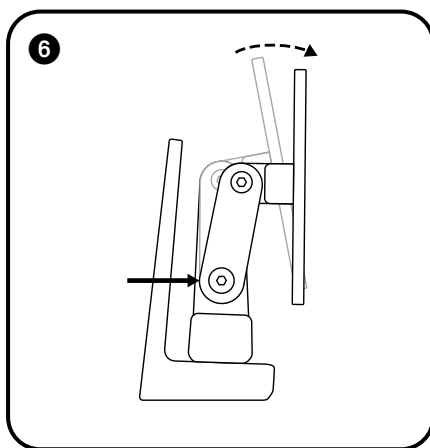


4 - Connect the speaker cable [+/-] via the connecting terminal and select the desired capacity (in a 100 V environment or 8 Ohm in case of residential use).

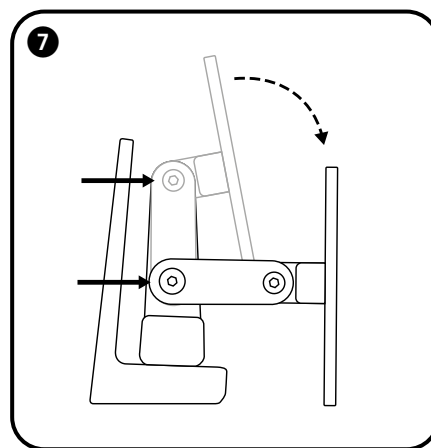




- 5 - Turn speaker to left or right**
Untighten the screw at the bottom, turn the speaker and fixate it.



- 6 - Aligning the speaker vertically**
Untighten the screw, direct the speaker and fixate it.



- 7 - Extended speaker position**
Untighten both screws, position the speaker and fixate it.

YOU ARE ABOUT TO ENJOY IT!