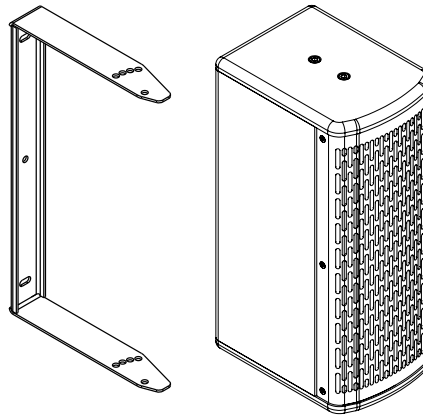


## POWERFULL PASSIF FULL RANGE SPEAKER

Dear Customer, Congratulations on the purchase of your loudspeaker(s). Please read these instructions carefully and keep them for future reference.



### SAFETY PRECAUTIONS

- Before connecting the equipment to the power outlet, first verify that the mains voltage and frequency match the values specified on the equipment.
- If the power cord of the device is equipped with an earthing contact, then it must be connected to an outlet with a protective ground. Never deactivate the protective ground of a power cord.
- Unplug the power cord and power adapter from the power outlet if there is a risk of a lightning strike or before extended periods of disuse.
- Replace fuses only with fuses of the same type and rating. If a fuse blows repeatedly, please contact an authorized service company.
- Do not open or modify this equipment.
- After connecting the equipment, check all cables in order to prevent damage or accidents, e.g., due to tripping hazards.
- Do not turn on the Amplifier ON before checking that all volumes to zero.

#### ▲ IMPORTANT

Never remove the cover, because otherwise there may be a risk of electric shock. There are no user serviceable parts inside. Have repairs carried out only by qualified service personnel.

⚠ The lightning flash with arrowhead symbol within an equilateral triangle is intended to alert the user to the presence of uninsulated "dangerous voltage" within the product's enclosure that may be of sufficient magnitude to constitute a risk of electrical shock.

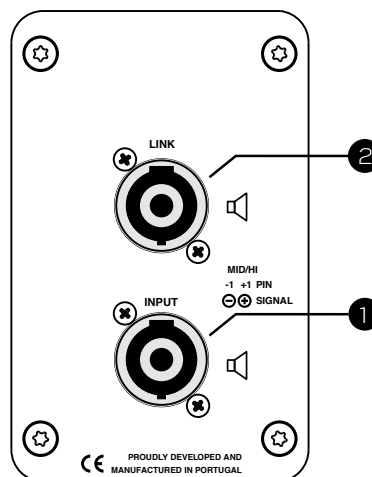
⚠ The exclamation mark within an equilateral triangle is intended to alert the user to the presence of important operating and maintenance instructions.

**CAUTION**  
RISK OF ELECTRIC SHOCK. DO NOT OPEN.

The amplifier is marked with this instruction so please proceed accordingly in order to avoid any hazard.

### Connections and Controls

Please refer to the following scheme and instructions:



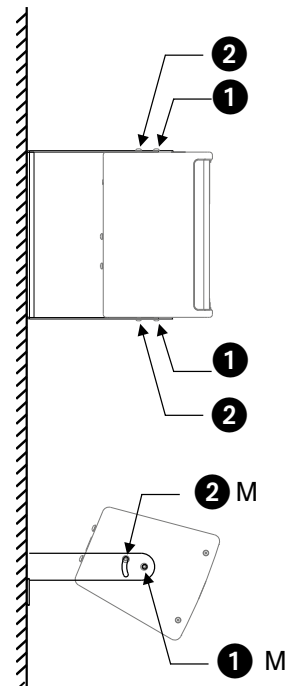
1. **INPUT:** Speakon NL4 compatible input (+1/-1).
2. **LINK:** Speakon NL4 compatible output (parallel wired with Speakon compatible input (1+/-1)).

### Install the "U" bracket

Before installing the speaker, take a moment to check the fixture to make sure there is no damage. Verify that you have all the necessary tools, fittings and connection hardware to complete the installation and connection. The Speaker is supplied with the "U" wall mount bracket. Provide suitable structural support to fully support the speaker.

- **STEP 1:** Set the location of the Speaker on the wall where is to be installed and mark the location of the bracket holes on the wall/ceiling.
- **STEP 2:** Drill 8mm holes and then screw bracket on the wall with screw anchors. First fasten upper screw in bracket only to support the weight.

- **STEP 3:** Remove the 4x M8 screws off the top and bottom of the speaker and place the speaker in position onto the bracket. First screw the 2x M8 (1) that will fix the speaker to the "U" bracket.
- **STEP 4:** The speaker is now fixed to the bracket and adjust the angle/tilt wanted (4 steps of 12°). Screw the other 2x M8 (2) to set and finish the Speaker installation to the wall/ceiling.
- **STEP 5:** It is possible now to connect the signal cable to the low impedance input: Speakon NL4 (+1/-1).



- 1 M8 to fix the speaker to the bracket
- 2 M8 to adjust the tilt angle of the speaker

## Technical specifications

- range : <math>200\text{ m}^2</math>
- system : 2-way system
- woofer : 5"
- tweeter : 1" horn tweeter
- bass reflex
- magnetic shielded
- recommended amp power : 200-380 W
- spread differential: 60 x 60°
- sensibility : 122 dB
- impedance : 4-8Ω
- frequency range : 65Hz~20KHz
- connection : Speakon NL4 in/out
- dimensions (h x w x d) : 430 x 170 x 230 mm
- 7.5 kg/piece
- composition: 15 mm multiplex box with polyurethane coating
- colour: black
- suspension : U-bracket

## Warranty conditions

2 year warranty from the date of manufacture.  
The warranty is limited to the repair or replacement of the defective material insofar as this defect is a result of normal use and the device has not been damaged. Artsound is not responsible for any other costs that ensue as a result of the defect (e.g. transport). For details, please consult our general terms and conditions of sale.



Waste electrical products should not be disposed of with household waste. All electronic products with the WEEE logo must be collected and sent to approved operators for safe disposal or recycling. Please recycle where facilities exist. Many electrical/electronic equipment retailers facilitate "Distributor Take-Back scheme" of household WEEE. Check with your Local Authority or retailers for Designated Collection Facilities (DCF) where consumers may dispose of their WEEE free of charge."