

# USER MANUAL



## Avonic Ceiling Mount

AV-MT250

# DISCLAIMER, CONTACT AND CE MARKING

## Disclaimer

All text, graphics, photographs, trademarks, logos, artwork and computer code (collectively, "Content"), including but not limited to the design, structure, selection, coordination, expression, "look and feel" and arrangement of such Content, contained in this Manual is owned, controlled or licensed by or to Avonic, and is protected by trade dress, copyright, patent and trademark laws, and various other intellectual property rights and unfair competition laws.

Except as expressly provided in these Terms of Use, no Content of this Manual may be copied, reproduced, republished, uploaded, posted, publicly displayed, encoded, translated, transmitted or distributed in any way (including "mirroring") to any other computer, server, Website or other medium for publication or distribution or for any commercial enterprise, without the prior written consent of Avonic.

## Copyright © 2023 AVONIC All Rights Reserved.

The information contained in this Manual is subject to change without notice.

## Contact Info

For any questions or suggestions, contact your reseller or local distributor of Avonic.

Visit the Avonic website [www.avonic.com](http://www.avonic.com) to find your local Avonic distributor or to download the most recent version of the documentation.

## Join Avonic on Social Media



[www.Facebook.com/avonicPTZ](http://www.Facebook.com/avonicPTZ)



[www.instagram.com/avonicPTZ](http://www.instagram.com/avonicPTZ)



[www.Linkedin.com/company/avonic](http://www.Linkedin.com/company/avonic)



[www.youtube.com/channels/avonic](http://www.youtube.com/channels/avonic)



[www.twitter.com/avonic](http://www.twitter.com/avonic)

# IMPORTANT INFORMATION

## Liability

Avonic will NOT be held responsible for any damage or injury caused by unqualified persons carrying out these tasks, or by not following the instructions in this Manual.

## Intended Use and Non-Intended Use

### Installation



The following applies to the **installation** of the mount and the camera:

- The installation activities described in this Manual should ONLY be executed by experienced technicians.
- The installation activities should NOT be executed by minors, mentally disabled persons or other persons not qualified to perform these tasks.





### Operation






The following applies to the **operation** of the mount and the camera:




- The operational activities described in this Manual should ONLY be executed by people with enough technical knowledge to perform the activities in a safe manner.
- This Product is specifically developed for video conferencing / streaming via internet by companies, institutes and universities. It is NOT meant for private use in the residential area.
- This Product should ONLY be used indoors.
- This Product is NOT a medical device and should NOT be used as a substitute for professional medical judgment. It is NOT designed or intended for use in the diagnosis of disease or other conditions, or in the cure, mitigation, treatment, or prevention of any condition or disease. Please consult your healthcare provider prior to making any decisions related to your health.

### Important Precautions

	This Product is NOT intended for use where failure of the device could lead to death, personal injury, or severe environmental damage.
	Be sure that you have COMPLETELY READ and UNDERSTOOD ALL information in this Manual before unpacking, installing and using this Product. Keep the Manual in a safe place for future reference or download it from <a href="http://www.avonic.com">www.avonic.com</a> .
	Failure to follow the SAFETY NOTES as described in this chapter could result in fire, electric shock, injury, or damage to this Product or other property.
	Power this Product ONLY with the included cable and power adapter. Other adapters may not meet applicable safety standards, and could pose a risk of death or injury when connected.

## Symbols Used in This Manual

Symbol	Meaning	Description
	Danger	Not following the instructions associated with this symbol may lead to personal injury and / or serious damage to the Product.
	Electrical Shock	Not following the instructions associated with this symbol may lead to life-threatening situations and / or serious damage to the Product.
	Important	The information associated with this symbol requires special attention.

Symbol	Meaning	Description
	Information	The information associated with symbol refers to a general remark or a reference to other documentation.
	Instruction	This symbol refers to one or more user instructions.
	Recycling	Specific parts of the Product can be re-used.

## Acronyms

The following acronyms are used in this Manual:

**PTZ**

Pan / Tilt / Zoom

**SKU**

Stock Keeping Unit

**UNC**

Unified National Coarse

# Contents

DISCLAIMER, CONTACT AND CE MARKING.....	ii
IMPORTANT INFORMATION.....	iii
Liability.....	iii
Intended Use and Non-Intended Use.....	iii
Installation.....	iii
Operation.....	iii
Important Precautions.....	iii
Symbols Used in This Manual.....	iii
Acronyms.....	iv
INTRODUCTION.....	6
Purpose of This Manual.....	6
Target Audience.....	6
Document Structure.....	6
SAFETY INSTRUCTIONS.....	7
Important Precautions.....	7
Intended Use.....	7
Handling.....	7
Mounting.....	7
Ventilation.....	7
Repair.....	8
PRODUCT OVERVIEW.....	9
Description.....	9
Features.....	9
UNPACKING.....	10
Package Contents.....	10
Unpacking the Mount.....	11
Return Procedure.....	11
MOUNTING AND INSTALLATION.....	12
Mounting on a ceiling or mounting pole.....	12
1. Baseplate.....	12
2. Camera plate.....	13
3. Ceilingmount.....	14
MEASUREMENTS AND SPECS.....	15
General Specifications.....	15
TRANSPORT AND STORAGE.....	17
DISPOSAL AND RECYCLING.....	18
Index.....	19

# INTRODUCTION

## Purpose of This Manual

This Manual describes the safety precautions and the instructions for safe unpackaging, installation, operation, maintenance and disposal of the Avonic MT250 Mount.



In this Manual the Avonic MT250 Mount is referred to as the 'Product'.

## Target Audience

This Manual is developed for installation technicians who install the Product at client sites, and for IT professionals who are responsible for operating the Product.

## Document Structure





The Manual is subdivided into the following **Chapters**:

1. Introduction
2. Safety
3. Product Overview
4. Unpacking
5. Mounting and Installation
6. Measurements and Specs
7. Maintenance
8. Transport and Storage
9. Disposal and Recycling

# SAFETY INSTRUCTIONS

This chapter contains important safety information regarding the unpacking, installation and use of the mount and the camera.

## Important Precautions

	This Product is NOT intended for use where failure of the device could lead to death, personal injury, or severe environmental damage.
	Be sure that you have COMPLETELY READ and UNDERSTOOD ALL information in this Manual before unpacking, installing and using this Product. Keep the Manual in a safe place for future reference or download it from <a href="http://www.avonic.com">www.avonic.com</a> .
	Failure to follow the SAFETY NOTES as described in this chapter could result in fire, electric shock, injury, or damage to this Product or other property.
	Power this Product ONLY with the included cable and power adapter. Other adapters may not meet applicable safety standards, and could pose a risk of death or injury when connected.

## Intended Use



See section [Intended Use and Non-Intended Use](#) on page iii for details.

## Handling



To prevent the risk of injury, take the following precautions when handling this Product:

- Handle the Product with care. It is made of metal and plastic components.
- The Product can be damaged if dropped, burned, punctured or crushed, or if it comes into contact with liquid.
- Do not pick up and move the Product unit while a tripod is attached. The fitting may break under the weight of the tripod, which may result in injury.
- If you suspect any damage to the Product, discontinue its use, as it may cause injury.

## Mounting



To prevent the Product from falling down which may cause injuries:

- Set up this Product on a hard, stable surface or mount it to a wall or ceiling.
- ONLY use an Avonic mount for mounting to a wall or ceiling.
- Ensure the mounting construction is capable of supporting four times the weight of the Product. (See 'General Specifications > Weight product' in the Product Datasheet for the exact weight.)
- Use a safety loop or drop protection that prevents the Product from falling if the mounting construction fails.
- During installation, NEVER install a Product above a person.
- Check the installation at least once a year. An improper mounting could cause the unit to fall off, resulting in personal injury.

## Ventilation



To prevent the risk of life-threatening injury or damage to the Product or other property, caused by electric shock or fire hazard due to overheating of the camera mounted on the Product:

- Maintain adequate ventilation by NOT installing or placing the Product unit in a bookcase, built-in cabinet or any other confined space.
- Ensure that curtains or any other material does NOT obstruct the ventilation.

## Repair



Take the following precautions if the Product should be repaired:

- Don't open this Product and don't attempt to repair it yourself. Disassembling the Product may damage it or may cause injury to you.
- If this Product is damaged, malfunctioning, or if it comes into contact with liquid, contact Avonic or an Avonic Authorized Service Provider.
- Repairs by service providers other than Avonic or an Avonic Authorized Service Provider may not involve the use of Avonic genuine parts and may affect the safety and functionality of the device. You can find more information about repairs and service at [www.avonic.com](http://www.avonic.com).



# PRODUCT OVERVIEW

## Description

The Avonic MT250 is a solid ceiling mount suitable for the CM40 and CM70 series. Its discrete design matches the silent operation of Avonic PTZ cameras. The MT-250 is equipped with two VESA75 mounting possibilities. The double VESA75 holes serve a dual purpose; it ensures optimal compatibility with standard VESA mounts and it makes finding a suitable ceiling location to mount the MT-250 easy. When mounted to the ceiling, the clever MT-250 design allows to have your hands free for easy installation of the camera. Available in black and white to match our PTZ cameras.



## Features

The Avonic MT250 has the following features:

### Separate base and plate

Separate base and camera plate for hassle free mounting and cable installation.

### Compatibility with VESA standard mounts

Double VESA 75 mounting holes for optimal compatibility with VESA standard mounts.

### Hands free installation

Hands free installation of the camera, only one screw needed to secure it.

### Integrated

Integrated cable cover.

### Design

Discrete and compact design.

### Seamless integration

Seamless integration with the shape and color of Avonic PTZ cameras.

# UNPACKING

This describes the contents of a complete Product package, and instructions for safe unpacking and (if necessary) Product return.

It is subdivided into the following sections:

1. Package Contents
2. Unpacking the Camera
3. Return Procedure

## Package Contents

The following tables contains an overview of the package contents of the Product.

No.	Quantity	Description	Avonic SKU
1	1 pc	Ceiling mount AV-MT250-B/ -W	AV-MT250-B/ -W
2	1 pc	1/4"-20 UNC Central Camera Screw	-
3	5 pc	M3*6mm DIN9785 black screw	-
4	2 pc	Black Allen bolt (back cover)	-
5	1 pc	Black 30MM Cover Cap	-

Each item is visualized below and referenced by the associated number in the table above:



Figure 1: Package Contents

## Unpacking the Mount

 Execute the following steps to unpack the mount and associated components:

1. Open the bag.
2. Verify that the contents of the bag exactly matches the items as described in [Package Contents](#) on page 10. If this is NOT the case, contact Avonic and stop here.

The mount should be in its protective foam as follows:



Figure 2: Mount in bag

3. Verify that the plastic mount bag is sealed. If this is NOT the case, contact Avonic and stop here.
4. Break the seal of the sealed mount bag.
5. Take the mount out of the bag.
6. Install the mount following the steps as described in the chapter [MOUNTING AND INSTALLATION](#) on page 12

## Return Procedure

 If, for any reason, you have to return the mount to Avonic, Execute the following steps:

1. Place the mount back in its protective bag and in **horizontal** position!
2. Place the mount with **all** of its components in the bag.
3. Verify that the contents of the bag **exactly** matches the items as described in [Package Contents](#).
4. Contact Avonic for the Return Procedure.

# MOUNTING AND INSTALLATION

This chapter describes the steps you have to perform to mount and install the Product in a correct and safe manner.

These steps are subdivided into the following groups, each of which is described in a separate section:

## 1. Mounting on a ceiling or mounting pole



Take the following precautions to prevent the Product and camera from falling down which may cause injuries:

- Set up this Product on a hard, stable surface, or mount it to a wall or (computer) screen.
- ONLY use an Avonic mount for mounting to a wall or ceiling.
- Ensure the mounting construction is capable of supporting four times the weight of the Product. (See 'General Specifications > Weight product' in the Product Datasheet for the exact weight.)
- Use a safety loop or drop protection that prevents the Product from falling if the mounting construction fails.
- During mounting and installation, NEVER install a Product above a person.
- Check the installation at least once a year. An improper mounting could cause the unit to fall off, resulting in personal injury.

## Mounting on a ceiling or mounting pole

### 1. Baseplate



To place the mount, follow these instructions:

The first step in mounting the MT250 ceiling bracket is to fasten the baseplate to the ceiling (Figure 4.).



If you choose to mount the camera onto a standard VESA polemount, the baseplate has two VESA75 mounting possibilities (Figure 3.), making it easy to find the best position for the bracket.



For safety reasons, follow exactly the warning under [Mounting and Installation](#), and make sure that the mounting construction is capable of supporting four times the weight of the Product.

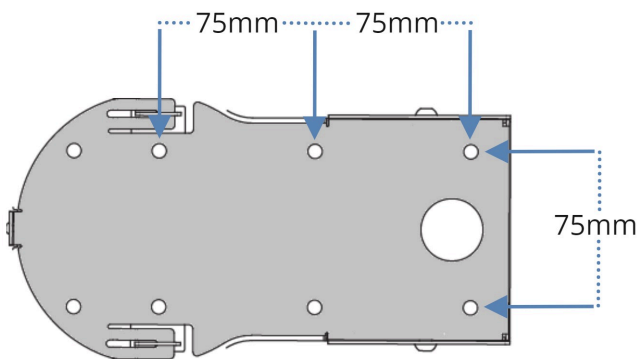


Figure 3: Baseplate

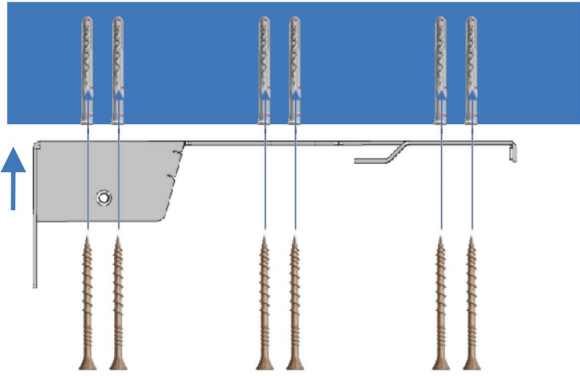


Figure 4: Screws and plugs



The screws and plugs are not included. See [Package contents](#) what is included.

## 2. Camera plate



2. Mount the camera to its own plate (Figure 5.), using the supplied 1/4" UNC screw and three little black M3\*6 security screws and one 1/4"-20 UNC Central Camera Screw.
3. Slide the camera on its plate into place (Figure 6). The construction has been designed in such a way that the camera can be hung up and be released so the installer has his or her hands free.

Figure 5: Mounting the camera

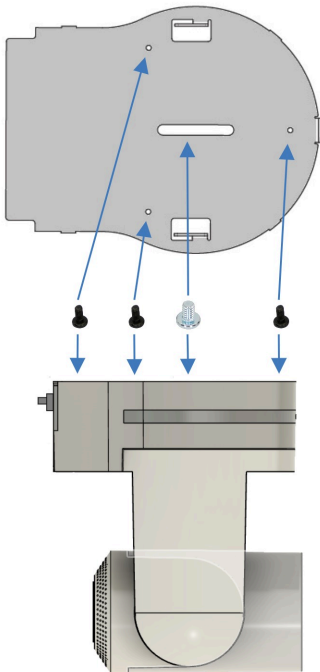
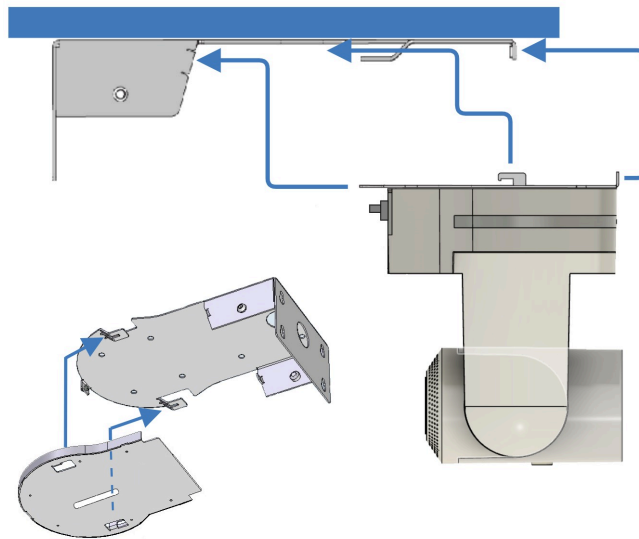


Figure 6: Connect camera plate to baseplate



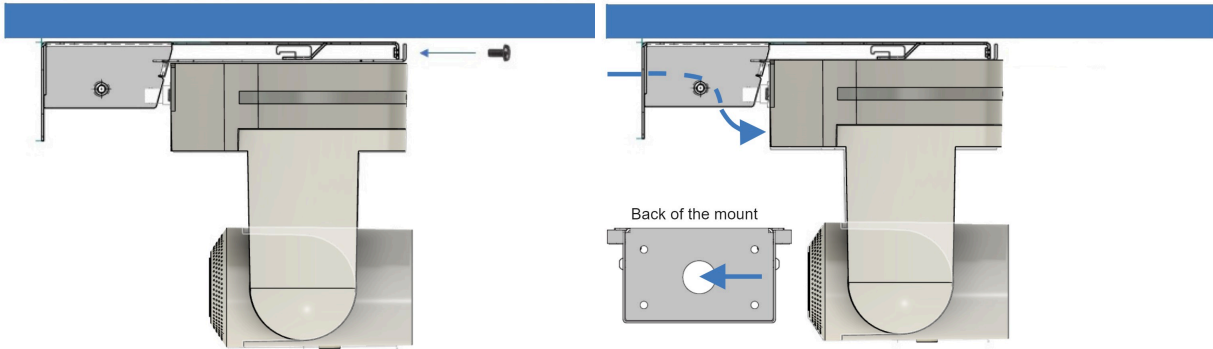
### 3. Ceilingmount



4. Lock the camera and ceilingmount together using one of the supplied M3\*6 screws and fasten into the center front (Figure 7.).
5. Connect the cables to the camera from the 30mm hole in the back of the mount (Figure 8).

Figure 7: Fasten camera plate to ceilingmount

Figure 8: Connecting cables



6. Put the cable cover over the back of the bracket, neatly concealing the cables and connectors of the camera. The cover cap can be screwed in place using the two supplied M6 Allen bolts (Figure 9).



Note that the screws of the covercap are placed off-centre, indicating that the cover can only be mounted in one specific way to match up exactly with the back of the camera.

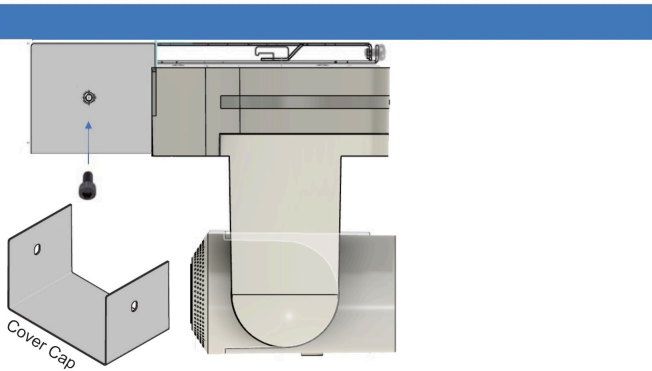
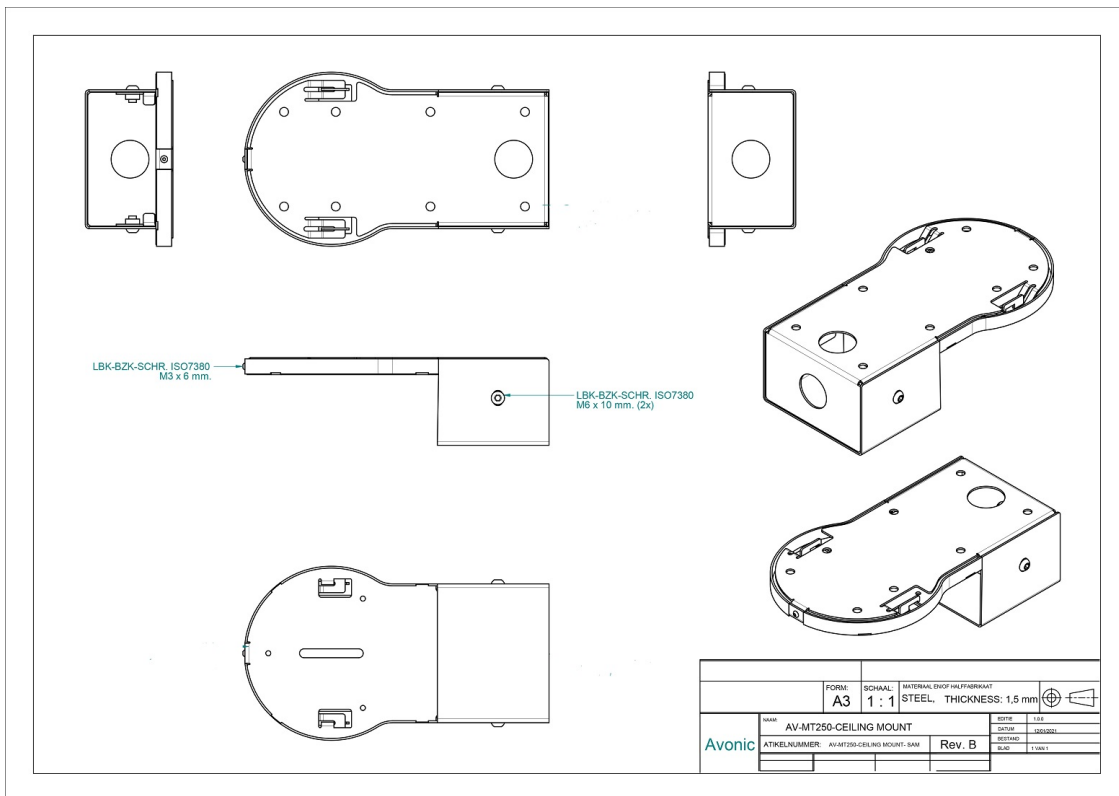


Figure 9: Cover cap

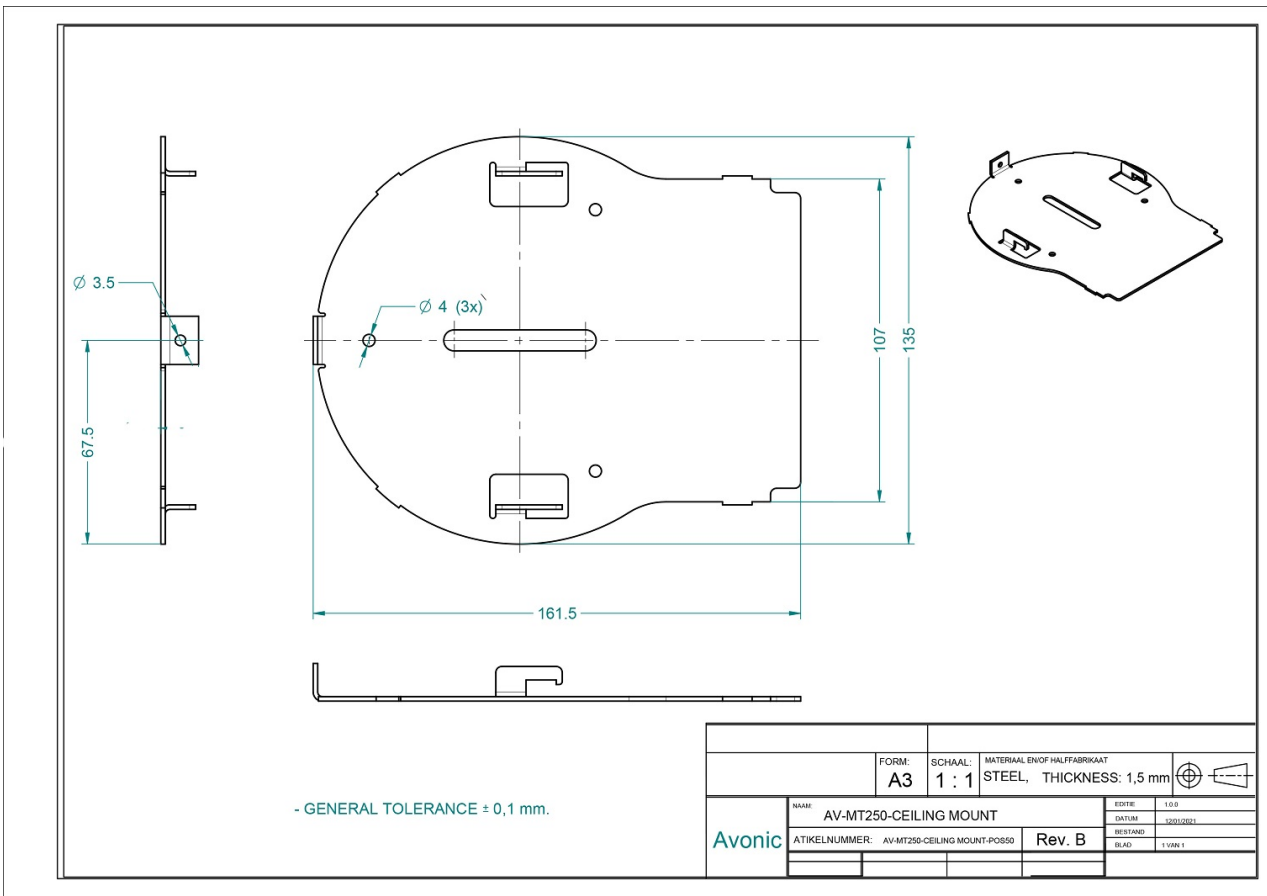
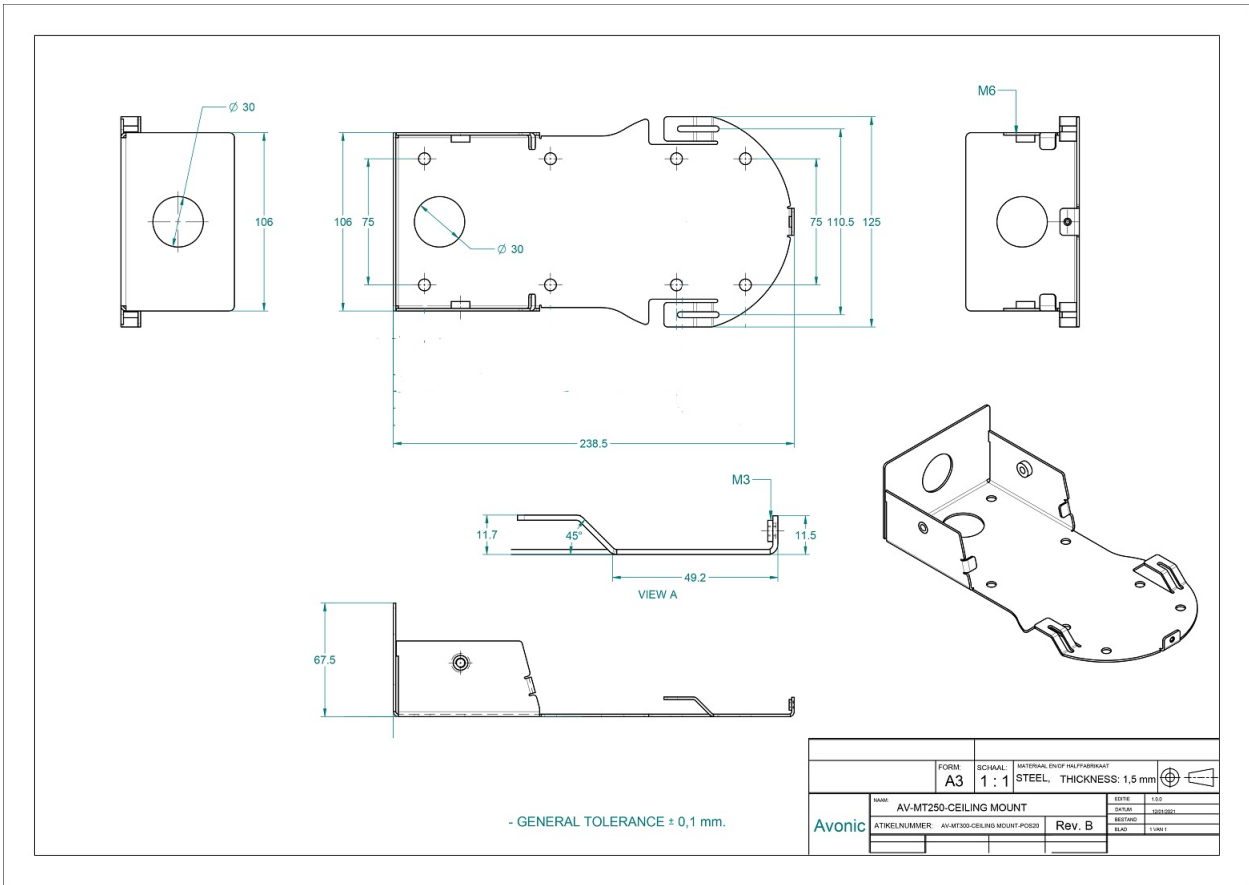
# MEASUREMENTS AND SPECS



## General Specifications

<b>Color</b>	WHITE OR BLACK
<b>Dimensions product MM (W x H x D)</b>	138 X 69 X 240
<b>Weight product</b>	1.1 KG
<b>Dimensions package MM (W x H x D)</b>	145 X 75 X 250
<b>Weight package</b>	1.2 KG
<b>Included</b>	AV-MT250 BLACK OR WHITE 1 X 1/4"-20 UNC CAMERA SCREW 5 X M3*6MM DIN9785 BLACK SCREW 2 X BLACK ALLEN BOLT M6*1.0 (TO HOLD STEEL BACK COVER) 1 X BLACK 30MM COVER CAP







## TRANSPORT AND STORAGE

The mount must be transported in its original packaging box. Inside the box, it is recommended to wrap the mount in the original plastic bag and to place it in the protective foam.

Specific guidelines apply to the environmental temperature and humidity when operating and storing the mount and the camera.



**See 'Operating humidity' and 'Storage temperature' in the provided (camera) Datasheet for the applicable values.**

## DISPOSAL AND RECYCLING

In general, the term 'E-Waste' applies to items of all types of electrical and electronic equipment and its parts that have been discarded by the owner as waste without the intention of re-use.

Avonic outsources the disposal and recycling of its E-Waste mount and camera materials to the **Stichting Open**.



See <https://stichting-open.org/> for more information about the disposal and recycling.

# Index

## Numerics

1/4" -20 UNC screw [10](#), [13](#)

## B

Baseplate [12](#)

## C

Cable Cover [14](#)

Cover Cap [10](#), [14](#)

## M

M3\*6mm Pozidrive screws [10](#), [13](#), [14](#)

M6 Allen bolt [10](#), [14](#)



Avonic Ceiling Mount  
AV-MT250

© January 2023 • Version 1.3.1