

WL95-800BL1

NEOMOUNTS VIDEO WALL MOUNT

SPECIFICATIONS

GENERAL

| | |
|-------------------|--------------------|
| Min. screen size* | 42 inch |
| Max. screen size* | 70 inch |
| Max. weight | 35 kg (per screen) |
| Screens | 1 |
| VESA minimum | 200x200 mm |
| VESA maximum | 600x400 mm |
| Distance to wall | 7,8-26,6 cm |

FUNCTIONALITY

| | |
|-----------------------|------------------|
| Height adjustment | 1,3 cm |
| Width adjustment | 4 cm |
| Depth adjustment | 0,4 cm |
| Lockable | Not lockable |
| Height | 51 cm |
| Width | 62 cm |
| Depth | 8,4 cm |
| Adjustment type | Micro adjustment |
| Video wall adjustment | Push to pop-out |

INFORMATION

| | |
|---------------|---------------|
| Color | Black |
| Main material | Steel |
| Warranty | 5 year |
| EAN code | 8717371440541 |

*Please note: The inch sizes stated are just an indication, combined with the weight and VESA sizes. The maximum weight and VESA size are absolute restrictions for the products and should not be exceeded.



Neomounts



Neomounts

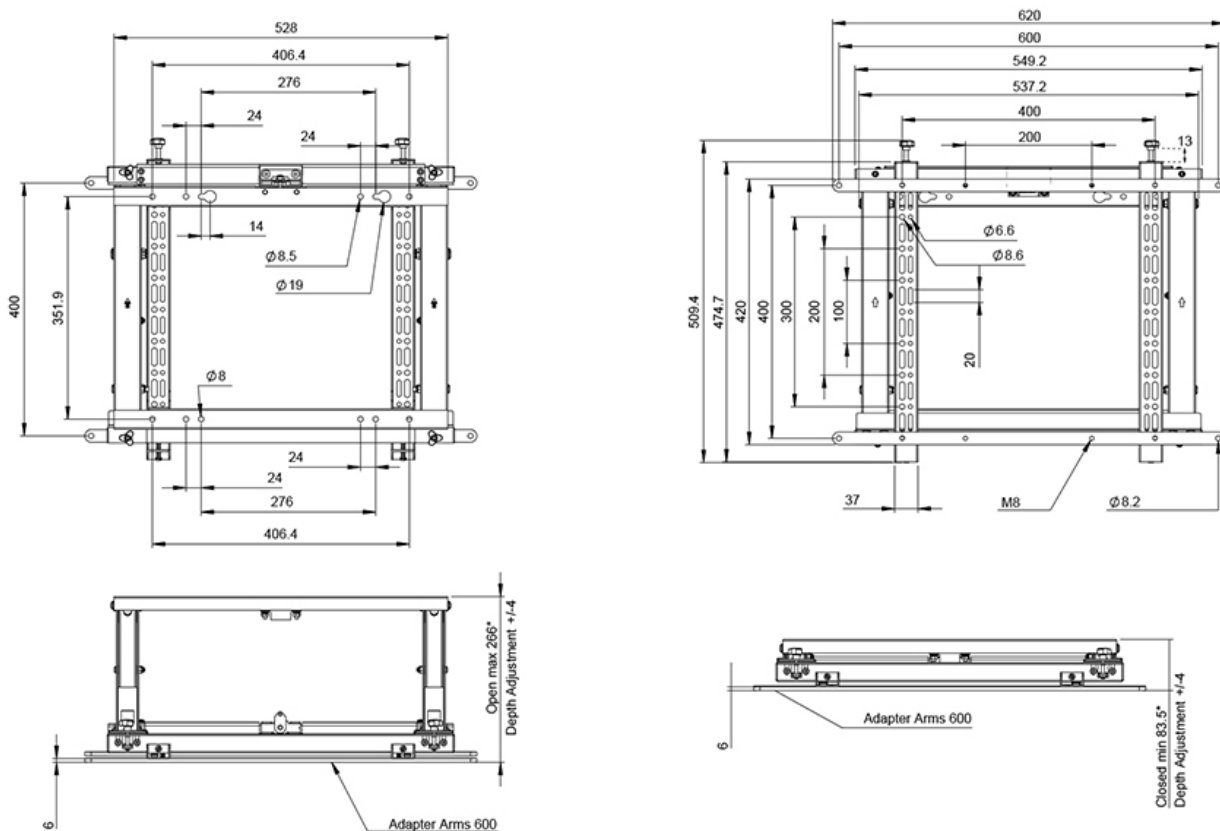
Neomounts WL95-800BL1 push to pop out video wall mount for 42-70" screens - Black

The Neomounts WL95-800BL1 is a push to pop out video wall mount for screens up to 70". The screen can be installed both in portrait and landscape orientation and additionally, toolless micro adjustment in height, depth, tilt and swivel is available for the perfect alignment.

The WL95-800BL1 has a depth of 7,8-26 cm and is suitable for screens that meet VESA hole pattern 200x200 up to 600x400 mm (landscape) or 400x600 mm (portrait). The video wall mount is packed pre-assembled and features keyhole slots to ensure fast and easy installation.

WL95-800BL1

NEOMOUNTS VIDEO WALL MOUNT



*Note: Including 6mm adapter arms for VESA 600x400